



Commercial Description

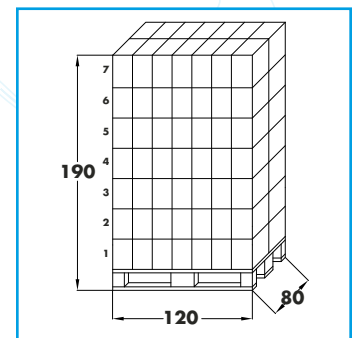
Flow-Pack Static Duster

How to use

The anti dust cloth, thanks to its electrostatic power, attracts dust, crumbs, dirt, hair, avoiding their dispersion. To use both for dusting and both for any dust capture system for floor. To use dry without detergent. After use the surface will be perfumed and/or healthy.

Technical Data

- Product quantity: - 20 wipes 22x28 cm
- Logistic: - 12 flow-pack per carton
- packaging size 17x38x26 cm
- 98 box/pallet
- 1.176 pz/pallet



Variants

It is possible to add an anti bacterial treatment and / or a fragrance (eucalyptus, citrus, marseille...)