



## Commercial Description

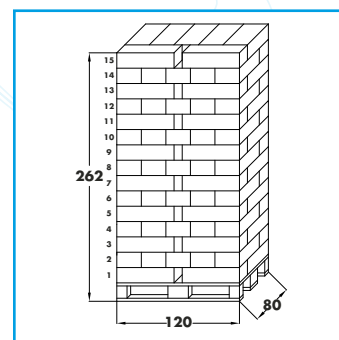
### Pouch with Softener

### How to use

The innovative pouch with softener, thanks to its special technology, captures the colors dissolved during washing and releases gradually its exclusive formula wrapping your clothes in a fresh scent of clean and in a natural softness.

### Technical Data

- Product quantity: - 10 pouch 7,5x12 cm for 30gr
- Logistic: - 18 card boxes per outer box
- packaging size 23x56x15 cm
- 105 box/pallet
- 1.890 pz/pallet



### Variants

The pouch length and the softener product quantity can vary. Furthermore the softener product can be replaced with another product as detergent, anti limestone, anti bacterial, whitener.