

Commercial Description

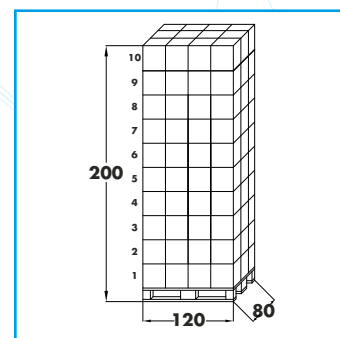
Reusable Colour Catcher

How to use

The reusable colour catcher prevents that light fabrics become dyed or grey. In each washing it captures the colours dissolved in water, the remaining limestone and the dirt specks. Thanks to the spongy fibers treated with a special solution. The fabric has a very high absorption ability that can be used for 30 washes. The proof is on the sheet that after use turns the color.

Technical Data

- Product quantity: - 1 sheets 30x30 cm
- Logistic: - 20 card boxes per carton
- packaging size 29,5x24,5x17,5 cm
- 120 box/pallet
- 2.400 pz/pallet



Variants

The size and the number of sheets per box may be changed at will. Consequently will change technical data, quantity and logistics.